

## PIGNONI TENDICATENA

CHAIN TIGHTENER SPROCKETS

KETTENSANNER

PIGNONS TENDEURS DE CHAÎNE

PIÑONES PARA CADENA

3



## PIGNONI TENDICATENA

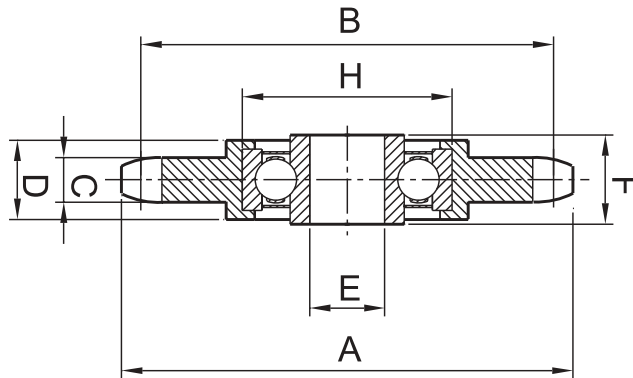
### in Nylon 6÷30% FV completi di cuscinetto

CHAIN TIGHTENER sprockets with bearing in Nylon 6÷30% GF

KETTENSPELLNER mit Kugellager aus Nylon 6÷30% GF

PIGNONS TENDEURS de chaîne en Nylon 6÷30% FV avec palier

PIÑONES PARA CADENA completos con cojinete de Nylon 6÷30% FV



COD	P	Z	A	B	C	D	E	H	F
PG08Z18T12	8 x 3	18	42,20	46,07	2,80	16	16 <sup>+0,130</sup> <sub>+0,260</sub>	32	10
PG38Z15T10	3/8"x7/32"	15	49,5	45,81	5,2	16	16 <sup>+0,130</sup> <sub>+0,260</sub>	40	18
PG38Z15T16	3/8"x7/32"	15	49,50	45,81	5,30	16	16 <sup>+0,01</sup> <sub>+0,00</sub>	40	18
PG38Z15T162	3/8"x7/32"	15	49,50	45,81	5,30	16	16 <sup>+0,130</sup> <sub>+0,260</sub>	40	18
PG38Z21T10	3/8"x7/32"	21	67,60	63,91	5,30	16	10 <sup>+0,01</sup> <sub>+0,00</sub>	30	9
PG38Z21T16	3/8"x7/32"	21	67,60	63,91	5,30	16	16 <sup>+0,01</sup> <sub>+0,00</sub>	40	18
PG38Z21T162	3/8"x7/32"	21	67,60	63,91	5,30	16	16 <sup>+0,130</sup> <sub>+0,260</sub>	40	18
PG12Z13T12	1/2"x5/16"	13	57,90	53,06	7,20	16	12 <sup>+0,01</sup> <sub>+0,00</sub>	32	10
PG12Z16T10	1/2"x5/16"	13	69,90	65,10	7,20	16	10 <sup>+0,01</sup> <sub>+0,00</sub>	30	9
PG12Z16T16	1/2"x5/16"	16	69,90	65,10	7,20	16	16 <sup>+0,01</sup> <sub>+0,00</sub>	40	18
PG12Z16T162	1/2"x5/16"	16	69,90	65,10	7,20	16	16 <sup>+0,130</sup> <sub>+0,260</sub>	40	18
PG12Z16T17	1/2"x5/16"	16	69,90	65,10	7,20	16	17 <sup>+0,01</sup> <sub>+0,00</sub>	40	12
PG12Z17T10	1/2"x5/16"	17	74,00	69,11	7,2	16	10 <sup>+0,01</sup> <sub>+0,00</sub>	40	18
PG12Z17T16	1/2"x5/16"	17	74,00	69,11	7,20	16	16 <sup>+0,01</sup> <sub>+0,00</sub>	40	18
PG12Z17T162	1/2"x5/16"	17	74,00	69,11	7,20	16	16 <sup>+0,130</sup> <sub>+0,260</sub>	40	18
PG12Z17T12	1/2"x5/16"	17	74,00	69,11	7,20	16	12 <sup>+0,01</sup> <sub>+0,00</sub>	32	10
PG12Z18T16	1/2"x5/16"	18	78,00	73,14	7,20	16	16 <sup>+0,01</sup> <sub>+0,00</sub>	40	18
PG12Z18T162	1/2"x5/16"	18	78,00	73,14	7,20	16	16 <sup>+0,130</sup> <sub>+0,260</sub>	40	18
PG58Z15T12	5/8"x3/8"	15	83,20	73,36	9,10	16	12 <sup>+0,01</sup> <sub>+0,00</sub>	32	10
PG58Z15T16	5/8"x3/8"	15	83,20	73,36	9,10	16	16 <sup>+0,01</sup> <sub>+0,00</sub>	40	18
PG58Z15T162	5/8"x3/8"	15	83,20	73,36	9,10	16	16 <sup>+0,130</sup> <sub>+0,260</sub>	40	18
PG58Z17T12	5/8"x3/8"	17	93,30	86,39	9,10	16	12 <sup>+0,01</sup> <sub>+0,00</sub>	32	10
PG58Z17T16	5/8"x3/8"	17	93,30	86,39	9,10	16	16 <sup>+0,01</sup> <sub>+0,00</sub>	40	18
PG58Z17T162	5/8"x3/8"	17	93,30	86,39	9,10	16	16 <sup>+0,130</sup> <sub>+0,260</sub>	40	18
PG34Z13T16	3/4"x7/16"	13	87,8	79,59	10,8	16	16 <sup>+0,01</sup> <sub>+0,00</sub>	40	18
PG34Z13T162	3/4"x7/16"	13	87,8	79,59	10,8	16	16 <sup>+0,130</sup> <sub>+0,260</sub>	40	18
PG34Z15T16	3/4"x7/16"	15	99,80	91,63	10,8	16	16 <sup>+0,010</sup> <sub>+0,000</sub>	40	18
PG1Z15T20	1"x17,02"	15	133,7	122,17	16,2	18	20 <sup>+0,130</sup> <sub>+0,00</sub>	47	18



PIGNONI

SPROCKETS

RITZEL

PIGNONS

PIÑONES

4

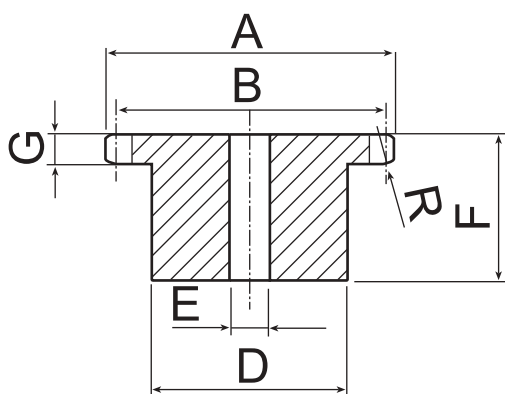


## PIGNONI per catene semplici, a rulli secondo DIN 8187/8188 ISO/R 606 in Nylon 6÷30% FV

SPROCKETS for simplex chains with rollers according to DIN 8187/8188 ISO/R 606 in Nylon 6÷30% GF  
RITZEL mit seitlicher Nabe für Simplex Rollenkette nach DIN 8187/8188 ISO/R 606 aus Nylon 6÷30% GF  
PIGNONS pour chaînes simples à rouleaux suivant les normes DIN 8187/8188 ISO/R 606 en Nylon 6÷30% FV  
PIÑONES para cadena simple, de rodillos según las normas DIN 8187/8188 ISO/R 606 de Nylon 6÷30% FV

4

CATENA	CHAIN	KETTE	CHAÎNE	CADENA	ISO mm
Passo	Pitch	Teilung	Pas	Paso	<b>9,525</b>
Larghezza interna	Internal width	Innere Breite	Largeur intérieure	Ancho interno	<b>5,72</b>
Rullo Ø	Roller Ø	Rollen Ø	Ø du rouleau	Rodillo Ø	<b>6,35</b>
PIGNONE	SPROCKET	RITZEL	PIGNON	PIÑON	ISO mm
Raggio dente r	Tooth radius r	Zahnradius r	Rayon de la dent r	Radio diente r	<b>r 10</b>
Larghezza raggio C	Radius width C	Radiusbreite C	Largeur du rayon C	Ancho radio C	<b>C 1</b>
Larghezza dente G	Tooth width G	Zahnbreite G	Larg. de la dent G	Ancho diente G	<b>G 5,3</b>



**3/8" x 7/32"**

**(9,525 x 5,72 mm)**

**06B - 1**

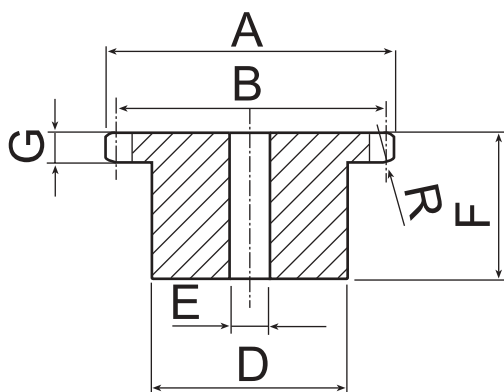
COD	Z	A	B	D	E	F
PG38Z008S	8	28.6	24.89	15	8	20
PG38Z010S	10	34.5	30.82	20	8	20
PG38Z012S	12	40.5	36.80	25	8	25
PG38Z013S	13	43.5	39.80	28	8	25
PG38Z014S	14	46.5	42.80	30	8	25
PG38Z015S	15	49.5	45.81	34	10	25
PG38Z016S	16	52.5	48.82	35	10	28
PG38Z017S	17	55.5	51.83	35	10	28
PG38Z018S	18	58.6	54.85	43	10	28
PG38Z019S	19	61.6	57.87	44	12	28
PG38Z020S	20	64.6	60.89	44	12	28
PG38Z021S	21	67.6	63.91	48	12	28
PG38Z022S	22	70.6	66.93	50	12	28
PG38Z024S	24	76.7	72.97	54	12	28
PG38Z025S	25	79.7	76.00	57	12	28
PG38Z027S	27	85.7	82.04	63	12	28
PG38Z028S	28	88.8	85.07	66	12	28
PG38Z030S	30	94.8	91.12	40	12	28
PG38Z036S	36	113.0	109.2	70	16	30
PG38Z048S	48	150.2	145.6	60	16	30

CATENA	CHAIN	KETTE	CHAÎNE	CADENA	ISO mm
Passo	Pitch	Teilung	Pas	Paso	<b>12,7</b>
Larghezza interna	Internal width	Innere Breite	Largeur intérieure	Ancho interno	<b>7,75</b>
Rullo Ø	Roller Ø	Rollen Ø	Ø du rouleau	Rodillo Ø	<b>8,51</b>
PIGNONE	SPROCKET	RITZEL	PIGNON	PIÑON	ISO mm
Raggio dente r	Tooth radius r	Zahnradius r	Rayon de la dent r	Radio diente r	<b>r 13</b>
Larghezza raggio C	Radius width C	Radiusbreite C	Largeur du rayon C	Ancho radio C	<b>C 1,3</b>
Larghezza dente G	Tooth width G	Zahnbreite G	Larg. de la dent G	Ancho diente G	<b>G 7,2</b>

**1/2" x 5/16"**

**(12,7 x 7,75 mm)**

**08B - 1**



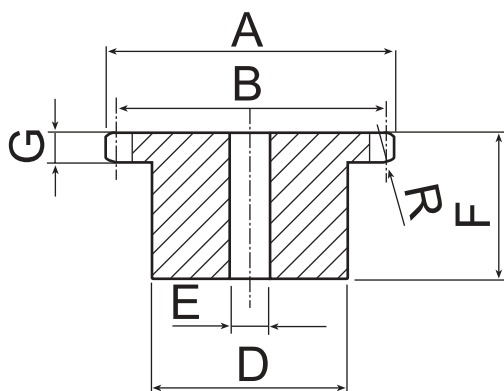
COD	Z	A	B	D	E	F
PG12Z008S	8	38.0	33.18	20	10	25
PG12Z010S	10	45.9	41.10	26	10	28
PG12Z012S	12	53.9	49.07	32	10	28
PG12Z013S	13	57.9	53.06	37	10	28
PG12Z014S	14	61.9	57.07	41	10	28
PG12Z015S	15	65.9	61.09	45	10	28
PG12Z016S	16	69.9	65.10	45	11	28
PG12Z017S	17	74	69.11	50	11	28
PG12Z018S	18	78	73.14	50	11	28
PG12Z019S	19	82.0	77.16	60	11	28
PG12Z020S	20	86	81.19	50	11	28
PG12Z021S	21	90.1	85.22	50	11	28
PG12Z022S	22	94.1	89.24	70	14	28
PG12Z024S	24	102.1	97.29	70	14	28
PG12Z025S	25	106.2	101.3	70	14	28
PG12Z027S	27	114.2	109.4	70	16	30
PG12Z028S	28	118.3	113.4	70	16	29
PG12Z030S	30	126.3	121.5	80	16	30
PG12Z036S	36	150.6	145.7	90	16	35
PG12Z038S	38	158.6	153.8	90	16	35

CATENA	CHAIN	KETTE	CHAÎNE	CADENA	ISO mm
Passo	Pitch	Teilung	Pas	Paso	<b>15,875</b>
Larghezza interna	Internal width	Innere Breite	Largeur intérieure	Ancho interno	<b>9,65</b>
Rullo Ø	Roller Ø	Rollen Ø	Ø du rouleau	Rodillo Ø	<b>10,16</b>
PIGNONE	SPROCKET	KETTENRÄDER	PIGNON	PIÑON	ISO mm
Raggio dente r	Tooth radius r	Radius r	Rayon de la dent r	Radio diente r	<b>r 16</b>
Larghezza raggio C	Radius width C	Breite C	Largeur du rayon C	Ancho radio C	<b>C 1,6</b>
Larghezza dente G	Tooth width G	Zahnbreite G	Larg. de la dent G	Ancho diente G	<b>G 9,1</b>

**5/8" x 3/8"**

**(15,875 x 9,65 mm)**

**10B - 1**



COD	Z	A	B	D	E	F
PG58Z010S	10	58.3	51.37	35	10	25
PG58Z012S	12	68.2	61.34	42	12	30
PG58Z013S	13	73.2	66.32	47	12	30
PG58Z015S	15	83.2	76.36	50	14	30
PG58Z017S	17	93.3	86.39	65	14	30
PG58Z020S	20	108.4	101.49	75	14	30
PG58Z025S	25	133.6	126.66	80	16	30
PG58Z030S	30	158.8	151.87	90	20	35

# PIGNONI per catene doppie e triple

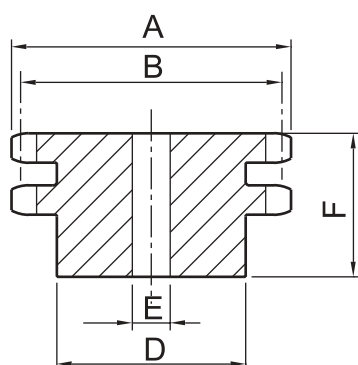
## a rulli secondo DIN 8187/8188 ISO/R 606

### in Nylon 6÷30% FV

SPROCKETS for double and triple roller chains according to DIN 8187/8188 ISO/R 606 in Nylon PA 6÷30% GF  
 RITZEL mit seitlicher Nabe für Doppel-, Dreifachrollenketten nach DIN 8187/8188 ISO/R 606 aus Nylon PA 6÷30% GF  
 PIGNONS pour chaînes doubles et triples à rouleaux suivant les normes DIN 8187/8188 ISO/R 606 en Nylon 6÷30% FV  
 PIÑONES para cadena doble y triple de rodillos según las normas DIN 8187/8188 ISO/R 606 en Nylon PA 6÷30% GF

## Doppio

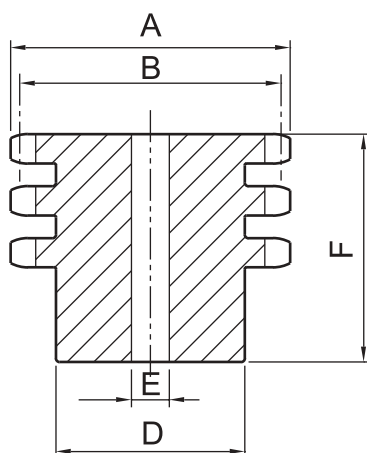
Double  
 Doppel  
 Double  
 Doble



COD	Z	A	B	D	E	F
PG38Z021D	21	67,6	63,91	52	16	40
PG12Z014D	14	61,9	57,07	42	12	35
PG12Z015D	15	65,9	61,09	46	12	35

## Triplo

Triple  
 Dreifache  
 Triple  
 Triple



COD	Z	A	B	D	E	F
PG38Z021TR	21	67,6	63,91	52	16	40
PG12Z014TR	14	61,9	57,07	42	12	50
PG12Z015TR	15	65,9	61,09	46	12	50